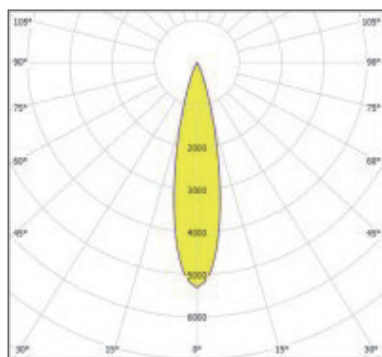


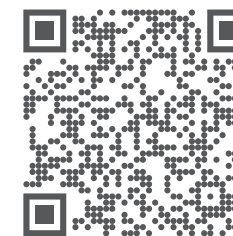
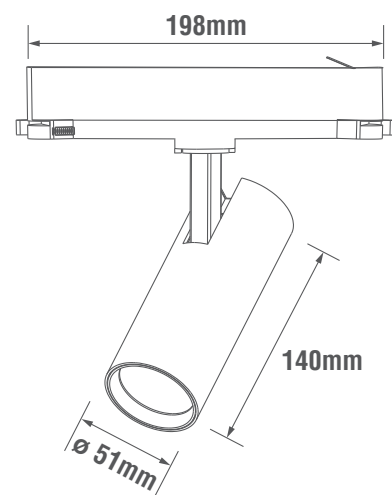


Vector, the track spot light of slim design, with in-track driver and COB light source, is perfect for grocery and retail environments.

Photometrics



Dimension



Lumen Output

Model	Power	3000K	4000K	5000K
		95 lm/W	100 lm/W	105 lm/W
V140	10W	950 lm	1000 lm	1050 lm

• Lumen may fluctuate between $\pm 10\%$. Customized higher lumen output available.

Specification

Input Voltage	220-240VAC
CRI	>80
Power Factor	0.86
SDCM	3
Beam Angle	24° (12° / 36° optional)
Operation Temp.	-20°C ~ +40°C
IP Rating	IP20

Fitting Material	Aluminum + PC
Electrical Class	II
Premium Lifespan	L70B50: 96,000h L80B10: 52,000h
Standard	EN60598-2-1 / EN55015 / EN62471

Order Code

• Subject to change without notice. Please scan the QR code for complete code list.

Code	Model	Power	On/Off	Microwave	PIR	BT	EME	DAL	RFD	RFM	CCT	Efficiency	Dimension (mm)
VEC001	V140	10W	●								40K	100 lm/W	∅ 51 * 140